

data sheet

MEDIPHOT

MP937 / MP943

X-Ray Filmprocessor



**COLENTA Medical X-Ray Film Processors:
MP937 and MP943**

01/2004 AN

For all standard X-Ray Films - Certified for **Mammography - Film processing.**

MEDIPHOT

MP937 / MP943

X-Ray Filmprocessor

Technical Specifications

Processing applications: For all standard X-Ray Films.
 Certified for **Mammography - Film** processing.

Film thickness: 0,10 mm (4mil) - 0,18mm (7mil)
 Material width: min. 7,5 cm max. **37/43**cm
 Material length: min. 10 cm

Capacities for:	Time in Developer [sec]	Cycle Time (dry to dry) [min]	Intake speed [cm/min]
MP937 / MP943	18 99	1'24 7'43	106 20

additional, see table on next page

	MP937	MP943
Tank capacity - Developer:	6L	6,5L
Fixer:	6L	6,5L
Wash water:	6L	6,5L

Solution heating(Fix and DEV): adjustable in a range of 18°C - 43°C
 (separate inline 350W heaters)

Dryer: warm air
 adjustable in a range of 18°C - 55°C

Replenishment: fully automatic.
 replenishment is microprocessor controlled and calculated from information received from sensors measuring the width and length of material entering the processor. Replenishment cycles are adjustable.

Wash water distribution: built in 3-way magnetic valve
 Wash water flow rate: 1,5 ltr/min when film is processed
 Wash water supply pressure: 3 - 10 bar
 Wash water supply: filtered at a temperature of 8°C - 15°C
 with 3/4" hose connection
 Wash water drain: 32mm (5/4inch) hose or tube

	MP937	MP943
<u>Weight:</u> Empty	113 kg	127 kg
With solution	134 kg	146 kg

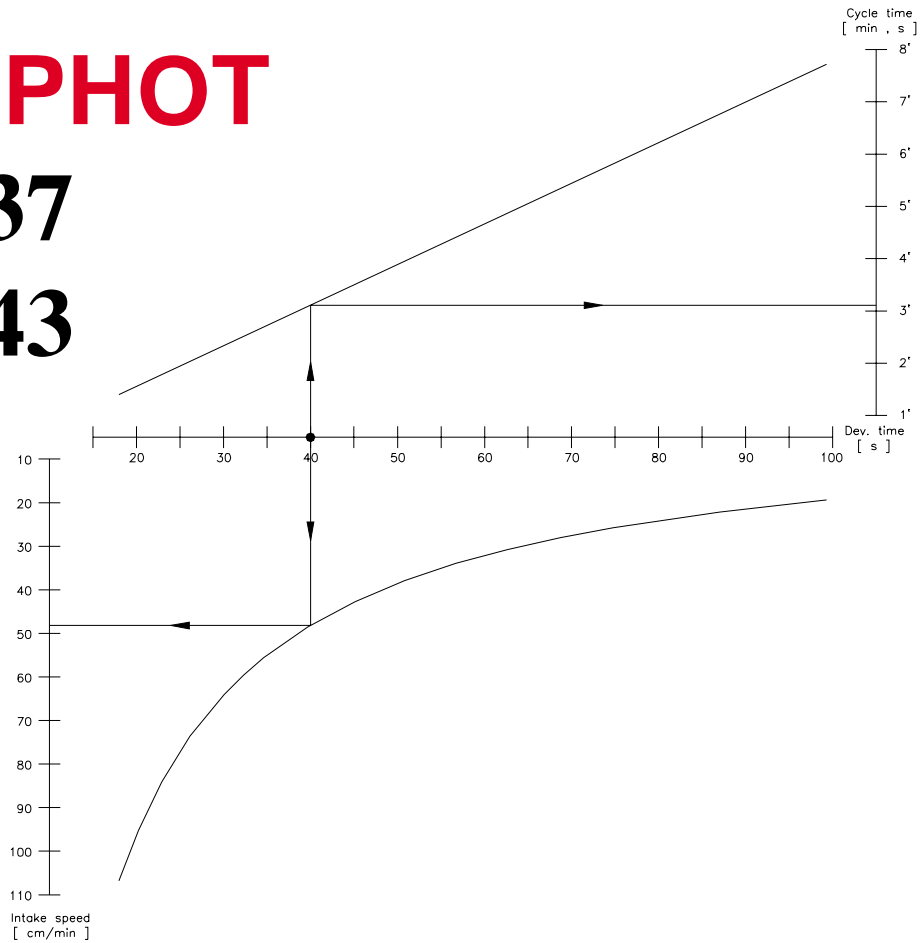
Technical specification subject to change without notice.

Input speed / DEV-time / Cycle-time:

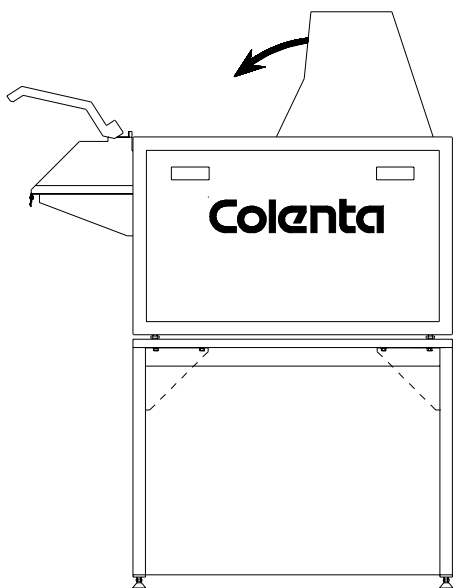
MEDIPHOT

MP937

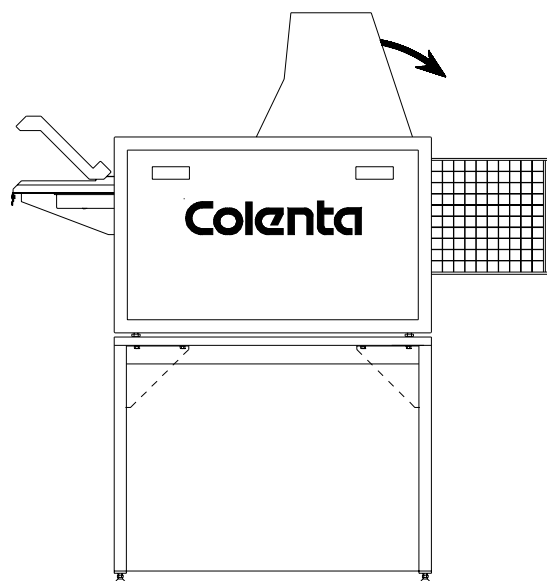
MP943



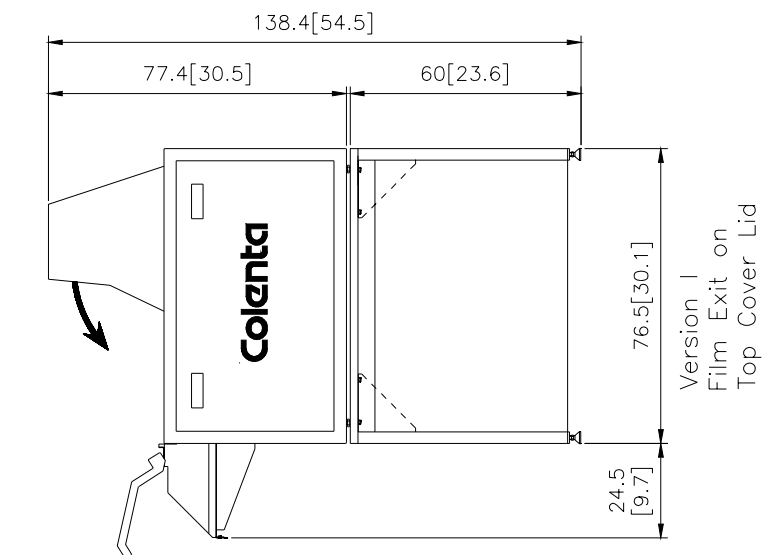
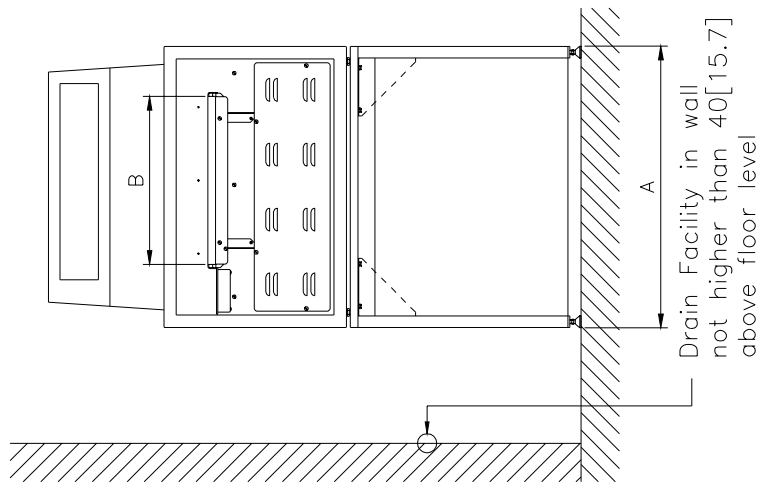
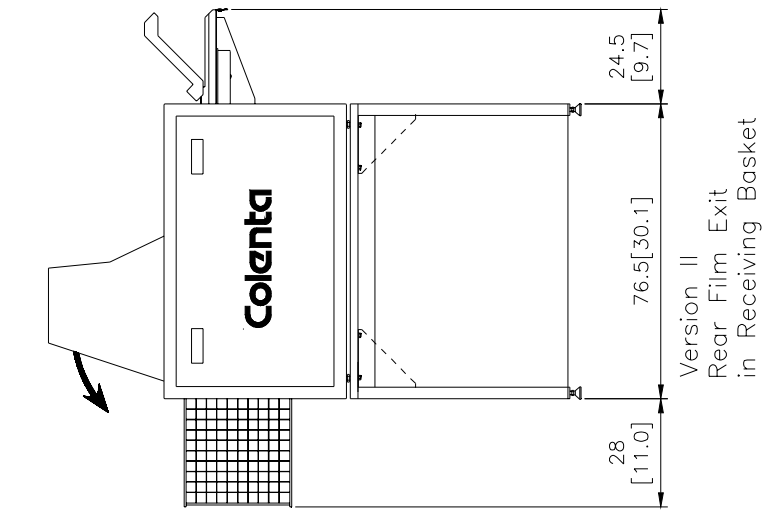
VERSION I
Media Exit on
Top Cover Lid



VERSION II
Rear Media Exit
in Receiving Basket



Dimensions of MEDIPHOT X-Ray Filmprocessor: cm(inch)



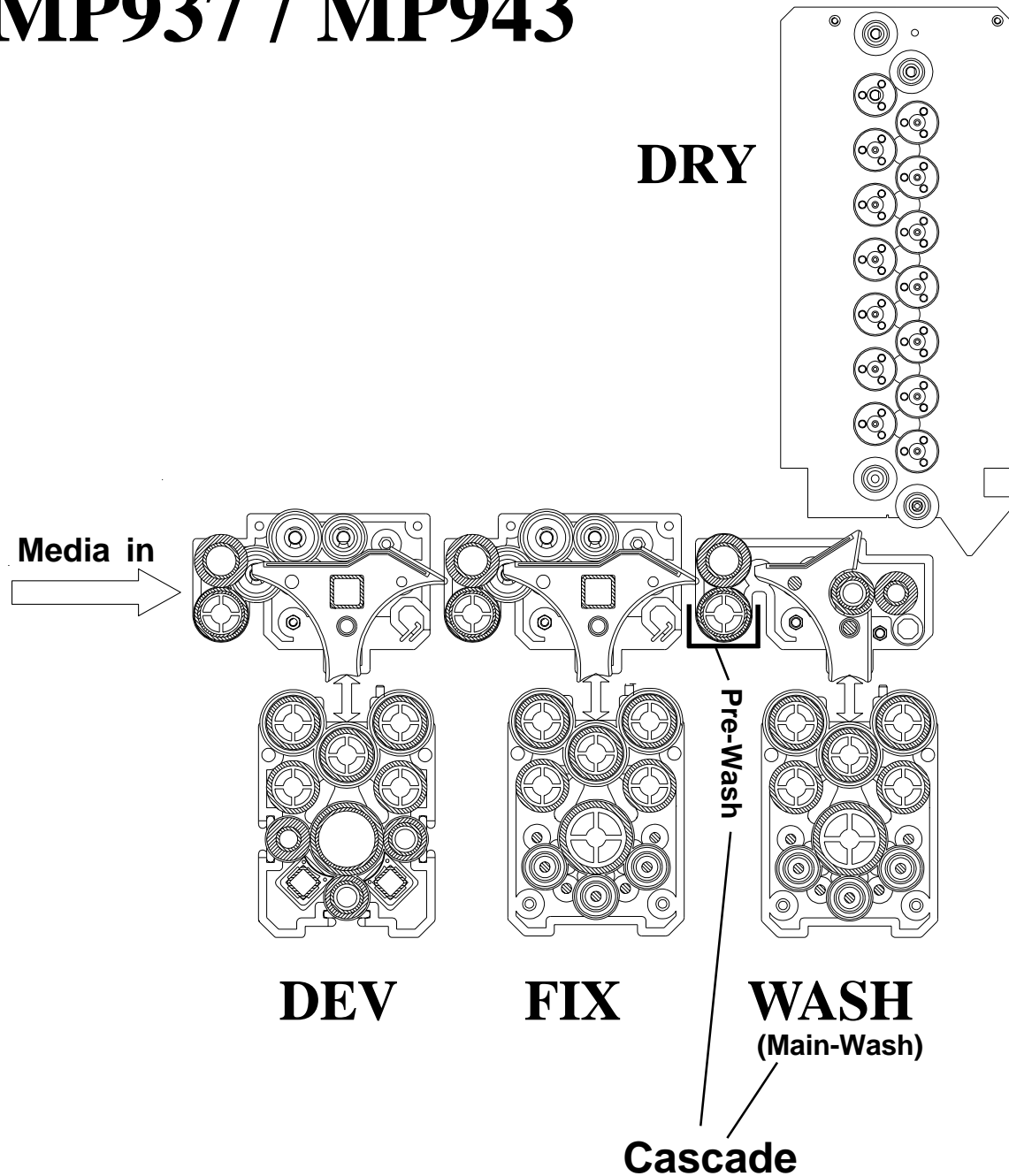
Type of Processor	MEDIPHOT	
	MP937	MP943
A cm[inch]	65 [25.6]	73 [28.7]
B cm[inch]	35.6 [14.0]	43.6 [17.2]

Technical specs subject to change without notice.

RACKSYSTEM:

MEDIPHOT

MP937 / MP943



Electrical supply:

	single phase 230 V
MP937	3,1 kW 13 A
MP943	3,1 kW 13 A

ATTENTION:
PROCESSOR TO BE CONNECTED TO
SUPPLY NET: 220V 50/60Hz

The diagram shows a terminal block labeled 'X1' with five terminals. From top to bottom, they are labeled L1, L2, L3, N, and a ground symbol. To the left of the block, the text 'Internal wiring of processor' is written vertically. To the right, there are two main supply lines: 'L1 (L1)' and 'L2 (N)'. A double-headed arrow between these two lines is labeled '220V'. A dashed line connects the ground terminal to a ground symbol on the right.

In case the above voltages are not available at site, please contact your local dealer or the factory for rewiring advice.

Details for shipment:

MP 937

packing dimensions: 1 carton box on palette
150cm x 80cm x 112cm (L x W x H)
packing volume: 1,344 m³
weight with packing: 158 kg

MP 943

packing dimensions: 1 carton box on palette
150cm x 80cm x 112cm (L x W x H)
packing volume: 1,344 m³
weight with packing: 170 kg