

data sheet

IMAGELINE PLATE ILP 85 LS/OL for Escher Grad COBALT 8



ONLINE

Colanta[®] Imageline Plate[®]

**for AGFA SilverLithoStar CTP - Printing Plates
IMAGELINE PLATE - TYPE ILP 85 LS/OL**

03/2005 AN

Colenta

Imageline Plate[®]

ILP 85 LS/OL

Technical Specifications:

Processing applications:
Plate width:

AL-CTP AGFA Lithostar
 max. 85 cm (33,5 inch)

Microprocessor Control:

with 4 preprogrammable processing cycles
 and 1 overnight program (SLEEPMODE)

Transport Speed at 20 sec DEV-Time:
(Time in Dev. plus Diffusion Time 20sec:)

170cm/min - 67 inch/min
 preprogrammable 16 to 80 sec.
 (recommended by AGFA 35sec/100cm/min)

	Tankcapacity	Temperature*)	Repl. Rate*)
Developer :	14,5lt	15 - 45°C	40-2000ml/m ²
Wash :	13,4lt	18 - 55°C	40-2000ml/m ²
Rinse :	5.9lt	18 - 55°C	
Finisher :	6,7lt	18 - 55°C	40-2000ml/m ²
Dryer :	-	18 - 60°C	

Replenishment:

- controlled by six-sensors, measuring plate area
 - activated after 0,1 - 0,999m² * plate area fed into the processor
 - antioxidation/standby replenishment, activated after 0-9 hours *

**Anticrystallisation/
 Selfcleaning Cycle
 during Standby:**

- activated : each 1 - 20 min *
 - cycle time : duration 1 - 3 min *

Delayed Start of Transport :
Filter Replacement Programming:

0 - 10 sec *
 0 - 9999 m² *

Selectable Processing Modes:

Automatic:

Processor goes to a standby „ready“ condition when a process cycle is completed.

Manual:

all functions operated manually

Rewash:

activated when the rewash feed slot is opened

Service

Using the Repl.Pumps to fill the processor tanks after cleaning.

Monitor

Used to view and check processor functions.

.....* all values preprogrammable

Control: - Activate and Monitoring features inform, warn and alert the operator to an error in the system.

Solution Levels:

-Low Level monitoring in Dev-, Wash-, Rinse- and Finisher Tank of processor **
 -Automatic Fill Up of above Levels when processor is switched on
 -High Level monitoring in Overflow Collection Tank (waste management) **
 -Low Level in Repl. Tanks for Wash and Finisher **

Temperatures:

High / Low level monitoring of the Dev, Wash, Rinse, Finisher and dryer temperatures.

ILP 85 LS/OL for EscherGrad COBALT 8

Water and Energy saving: Both the Wash and dryer systems activate only when required.

Work in Progress : Details the position of the plates through the processor.

Transport:

- drive motor overload monitoring **
- plate in/plate out check facility **
- security cover lid switch **
- rewash cover lid switch **

**** when activated will operate an audible warning and a message alert to confirm the error type.**

Additional Accessories and Features:

- Inbuilt Chiller unit
- A drawer unit within the main frame to house the replenishment and waste collection tanks.
- Split processor frame, allowing easy access through a standard door opening of 70cm (28inch)

		ILP 85 LS	
<u>Weight</u>	Empty	385	kg
	With solution	425	kg

Technical specification subject to change without notice.

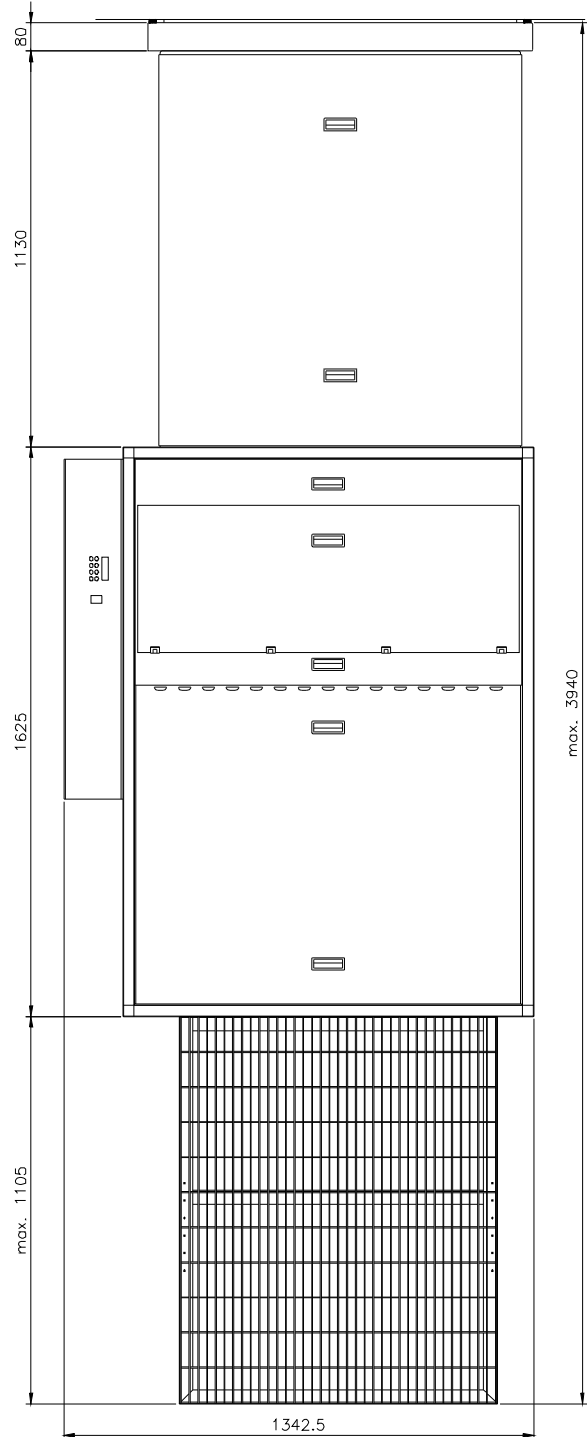
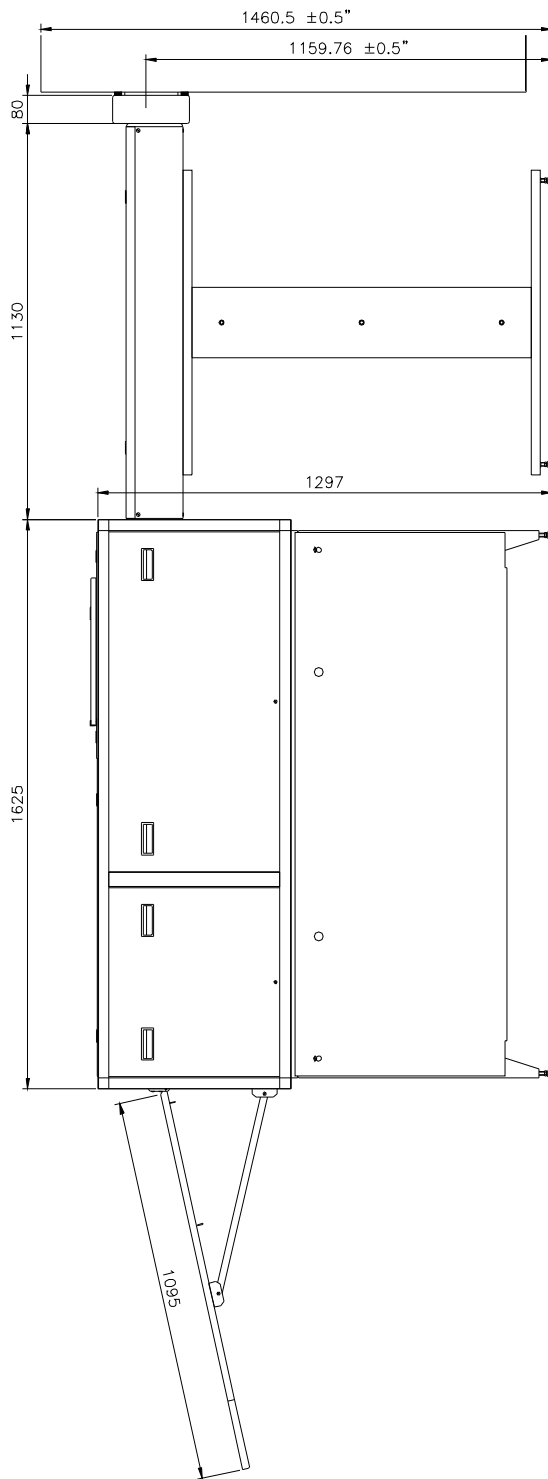
Details for shipment:

ILP 85 LS

packing dimensions:	1 carton box on palette 170cm x 152cm x 155cm (L x W x H)
packing volume:	4,00 m³
weight with packing:	475 kg

DIMENSIONEN:

ILP 85 LS/OL

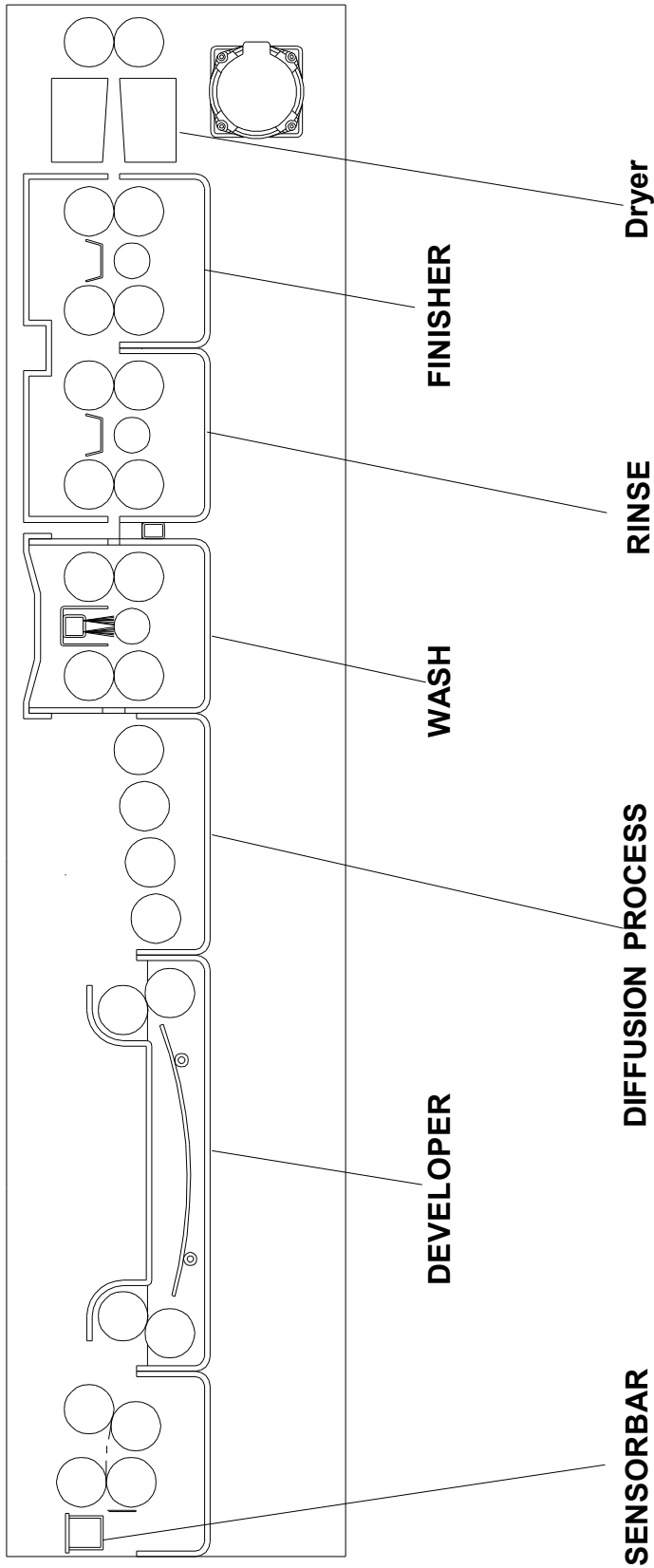


Imageline Plate®

We recommend a minimum walking space of 50cm around the processor.

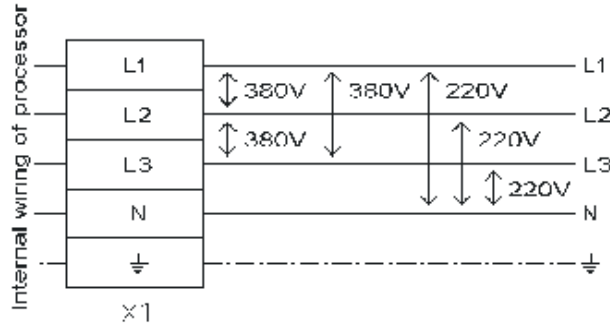
Transportsystem:

ILP 85 LS/OL



Electrical supply: (Standard, when 3N~400/230V, 50/60 Hz supply available)

ATTENTION:
PROCESSOR TO BE CONNECTED TO
SUPPLY NET: 3N~380/220V 50/60Hz



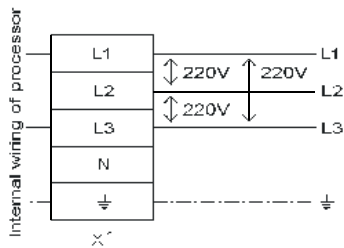
In case the above voltages are not available at site, please contact your local dealer or the factory for rewiring advice.

ILP 85 LS/OL

**6,5 KW
13 A**

alternatives, to be indicated when ordering

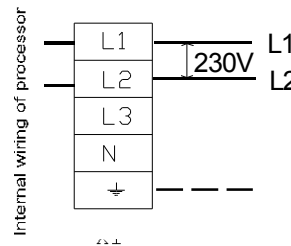
ATTENTION:
PROCESSOR TO BE CONNECTED TO
SUPPLY NET: 3~220V 50/60Hz



In case the above voltages are not available at site, please contact your local dealer or the factory for rewiring advice.

**ILP 85 LS/OL
3 x 230V, 6,5 KW
20A**

ATTENTION:
PROCESSOR TO BE CONNECTED TO
SUPPLY NET: 230V_{50/60Hz}



In case the above voltages are not available at site, please contact your local dealer or the factory for rewiring advice.

**ILP 85 LS/OL
Single Phase
230V, 6,5 KW
32A**