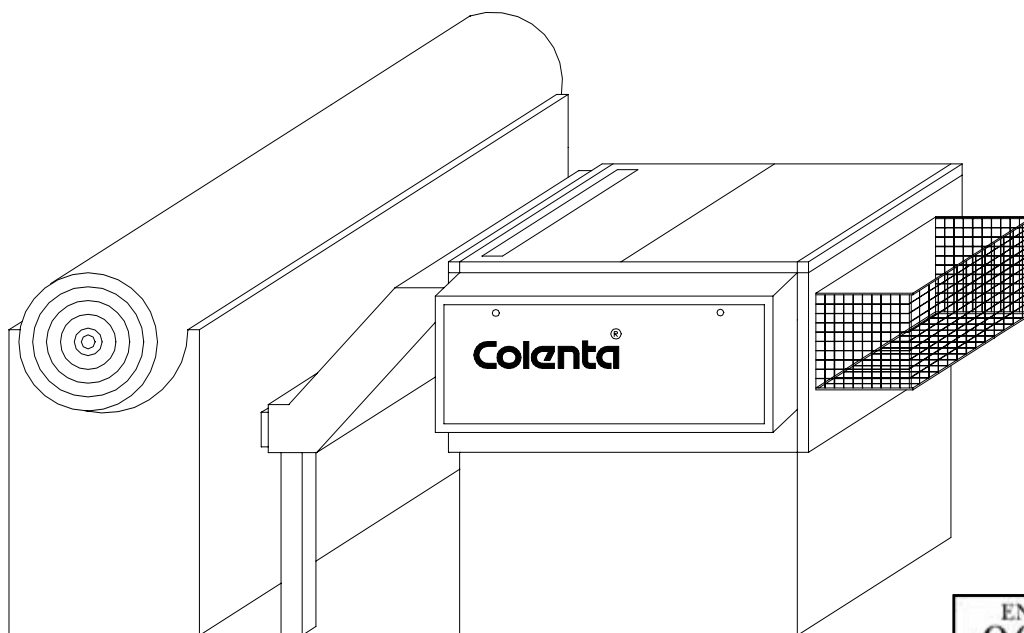


# data sheet

## COLENTA ONLINE SYSTEM IL ACS 80 S/OL for Creo Scitex DOLEV 4-Press



**Colenta**<sup>®</sup>



for Graphic Art Films or PE-Printing Plates up to 0,2 mm (0,3mm)  
IMAGELINE S - TYPE 125 cm/min at 20 sec dev time

# Colenta Imageline<sup>®</sup>

## IL ACS 80 S/OL

### Technical Specifications

All S-model processors have 9 programmable processing channels, an intermediate rinse bath rack system, covered stand, daylight feed box, hose/tube connection (100 mm dia.) facility for ventilation of the processors wet-section to an external exhaust fan and supplied with 2 x 30 lt replenishment storage tanks

**With** level control in DEV/FIX processor tanks to automatically “top-up” chemistry when levels are low.

**With** level control in wash tanks: high/low level monitoring with alarm warning.

**With** automatic wash tank “fill” when processor is switched on.

|                     |                              |
|---------------------|------------------------------|
| Film thickness:     | min. 0,10 mm up to 0,2mm     |
| PE-Plate thickness: | up to 0,2mm (0,3mm)          |
| Material width:     | min. 7,5 cm max. <b>80cm</b> |
| Material length:    | min. 10 cm                   |
| Time in Developer:  | min. 20 sec - max. 92 sec    |
| Input speed:        | 20sec/DEV-Time 125cm/min     |

#### **IL ACS 80 S/OL**

|                        |             |       |
|------------------------|-------------|-------|
| <b>Tank capacity -</b> | Developer:  | 15l   |
|                        | Fixer:      | 15l   |
|                        | Wash water: | 13,5l |

|                                |  |
|--------------------------------|--|
| Solution heating(Fix and DEV): | adjustable in a range of 18°C - 43°C<br>(separate inline 350/550W heaters)   |
| Dryer:                         | warm air<br>variable in a range of 18°C - 55°C   |
| Replenishment:                 | fully automatic.<br>replenishment is microprocessor controlled and calculated from information received from sensors measuring the width and length of material entering the processor. Replenishment cycles are adjustable. |
| Wash water distribution:       | built in 3-way magnetic valve  |
| Wash water flow rate:          | 2,5 ltr/min when film is processed   |
| Wash water supply pressure:    | 3 - 10 bar   |
| Wash water supply:             | filtered at a temperature of 8°C - 15°C<br>with 3/4" hose connection   |
| Wash water drain:              | 32mm (5/4inch) hose or tube  |

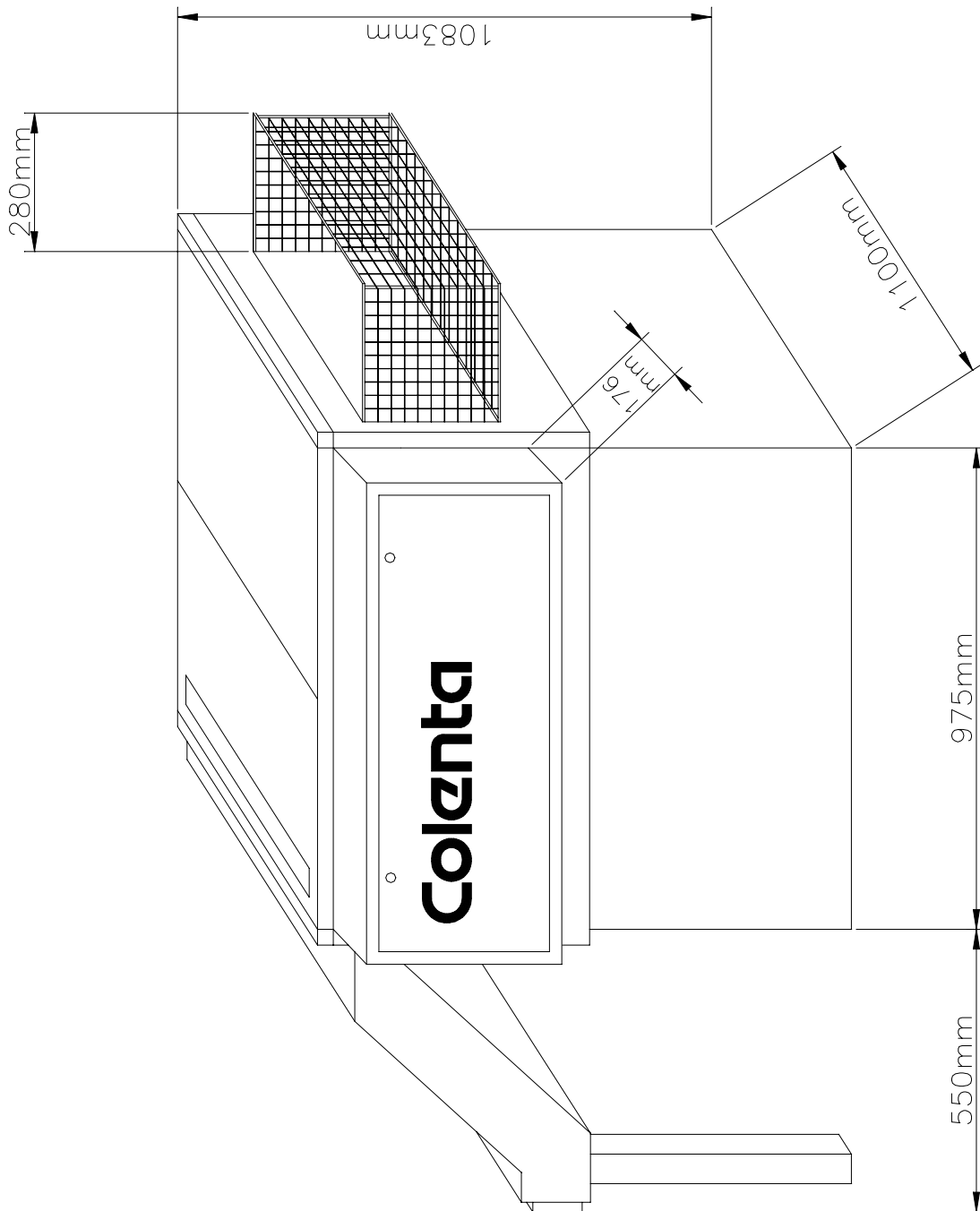
### Weight:

|               |                       |
|---------------|-----------------------|
|               | <b>IL ACS 80 S/OL</b> |
| Empty         | 290 kg                |
| With solution | 324 kg                |

**Technical specification subject to change without notice.**

# DIMENSIONS:

## IL ACS 80 S/OL

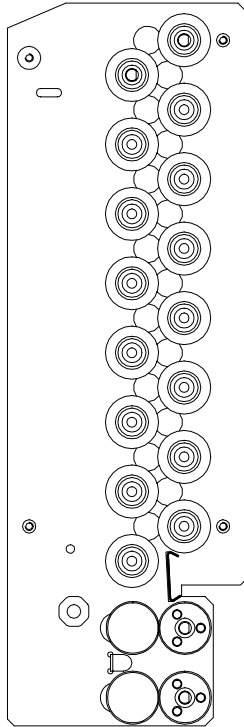


# TRANSPORTSYSTEM for:

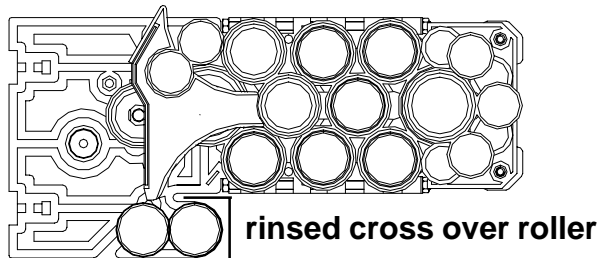
## Colenta

**IL ACS 80 S/OL**

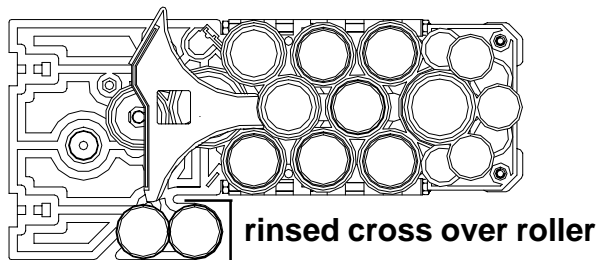
**DRYER**



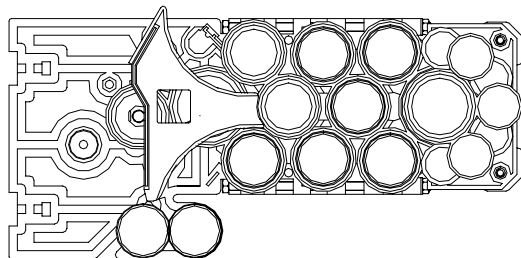
**WASH**



**FIX**



**DEV**

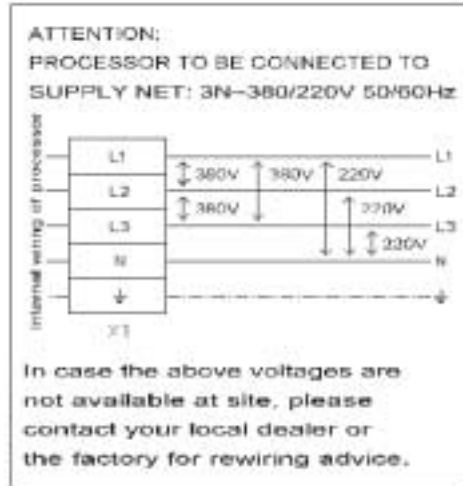


# Electrical supply:

Standard, when 3N~400/230V, 50/60 Hz supply available

**IL ACS 80 S/OL**  
**3N~ 400/230V 50/60 Hz**  
**6,5 kW**  
**13 A**

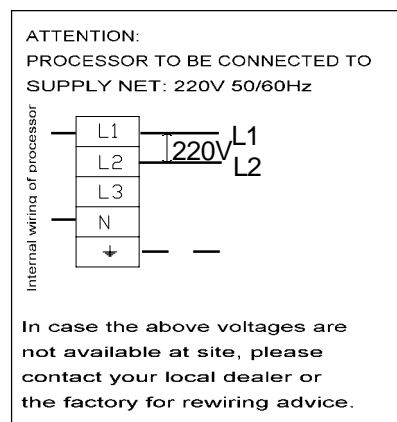
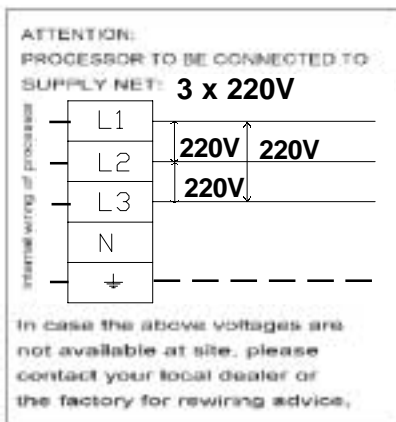
**Colenta**



(alternatives, to be indicated when ordering)

**IL ACS 80 S/OL**  
**3x220V 50/60 Hz**  
**6,5 kW**  
**20 A**

**IL ACS 80 S/OL**  
**220V 50/60 Hz Single phase**  
**6,5 kW**  
**32 A**



# Details for shipment:

**IL ACS 80 S/OL**

packing dimensions:

|                         |                     |        |
|-------------------------|---------------------|--------|
| 2 carton box on palette | volume              | weight |
| 180cm x 123cm x 145cm   | 3,21 m <sup>3</sup> | 320 kg |
| 105cm x 100cm x 50cm    | 0,05 m <sup>3</sup> | 60 kg  |